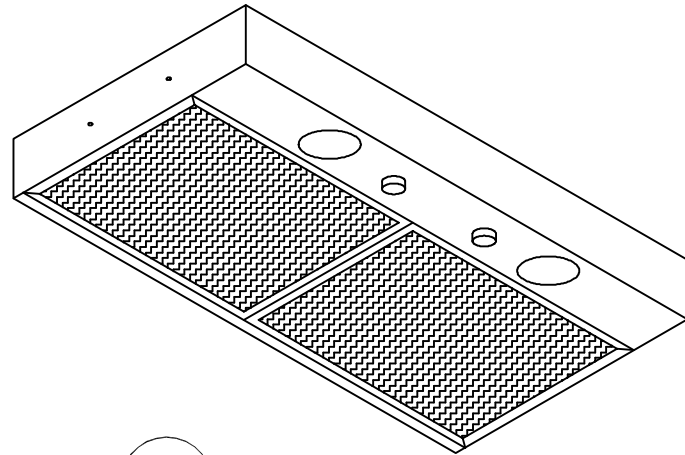


*All units in inches.



- * Stainless steel finish.
- * 660 CFM
- * A self contained unit with a three speed blower.
- * Convenient dimmer controlled halogen lights.
- * Washable aluminum mesh grease filters are included.
- * Pre-wired for electrical connection.
- * No liner required.
- * Custom sizes quoted upon request.

OEM PRICING

Part #	Description	1	2-4	5-9	10+
HC600-36	HC600 Kitchen Ventilator- 36" Wide Hood				
HC600-42	HC600 Kitchen Ventilator- 42" Wide Hood				