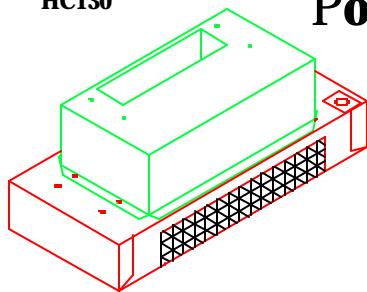


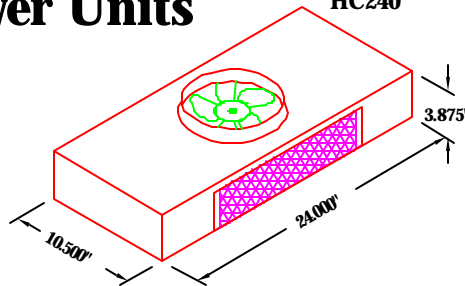
VENTILATORS

HC130

Power Units



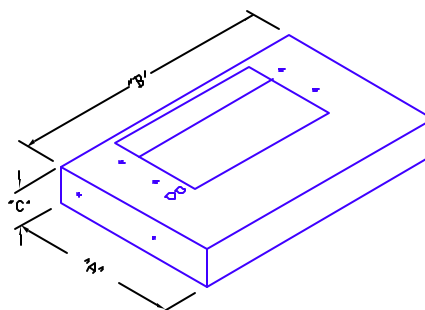
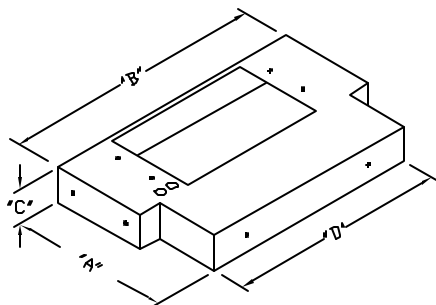
HC240



- * Almond (stock) or white (special order) finish.
- * 220 CFM
- * A self contained unit with a two speed axial fan.
- * Push button controls, twin enclosed 40 watt lights with lens diffuser.
- * Wrap around aluminum mesh grease filter is easily washable.
- * Pre-wired for electrical connection.
- * Charcoal filter available separately.
- * Ducting requires a 7" round duct.
- * Grease filter available separately.
- * No minimum order requirement.

| Part # | Description | Qty./Ctn. | Wt./Ctn. |
|------------|-------------------------|-----------|----------|
| HC240 | Kitchen Ventilator | 1 | 10 lbs. |
| HC240DCK | Ductless Conversion Kit | 1 | 6 lbs. |
| HC200-DMPR | Backdraft Damper | 1 | .44 lbs. |
| HC130 | Kitchen Ventilator | 1 | 19 lbs. |
| HC130DCK | Ductless Conversion Kit | 1 | 6 lbs. |
| HC130-DMPR | Backdraft Damper | 1 | 1 lbs. |

Metal Liners



- * Almond (stock) or white (special order) finish.
- * Cut out accepts HC240 & HC130 ventilators.
- * Cut out size is 10.000" x 17.312".
- * T-liner fits the Hoffco wood hood.
- * Includes installation instructions.
- * Special sizes quoted upon request.

| Part # | Description | Qty/Ctn | Wt/Ctn | "A" Dim | "B" Dim | "C" Dim | "D" Dim |
|----------|------------------|---------|---------|---------|---------|---------|---------|
| HCML3019 | 30" Square-Liner | 1 | 9 lbs. | 18.187" | 28.437" | 3.937" | -NA- |
| HCML3619 | 36" Square-Liner | 1 | 9 lbs. | 18.187" | 34.437" | 3.937" | -NA- |
| HC30T | 30" T-Liner | 1 | 11 lbs. | 18.125" | 29.875" | 4.000" | 24.375" |