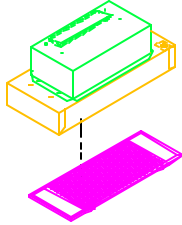


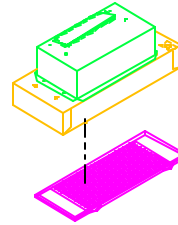
## HC-300 DCK Blower Installation Sheet

FIG 1



Remove the aluminum filter from the HC300 blower.

FIG 2



Replace with new filter.

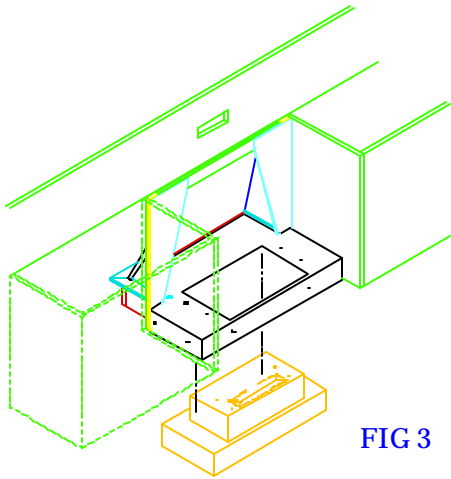


FIG 3

Install the liner with the wood hood in place, but do not attach to the hood. Attach the HC300 power unit to the liner using the Hoffco Power Unit Installation Instructions Sheet.

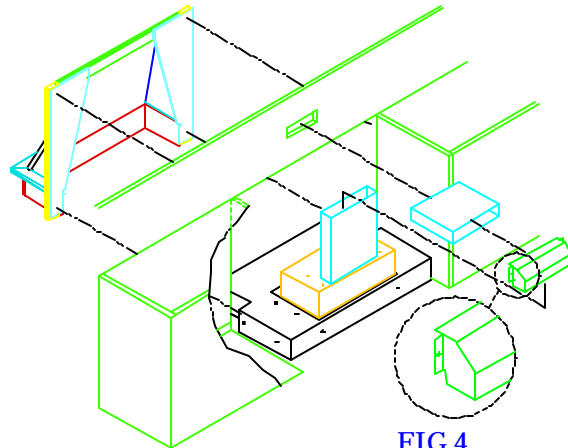


FIG 4

Pull the hood away for easier installation. Field modify both the duct and the 90° S.W. elbow to allow the preferred installation as shown in FIG 5 or FIG 6 below. Reattach the hood.

### OPTION 1 VENT GRILL IN SOFFIT

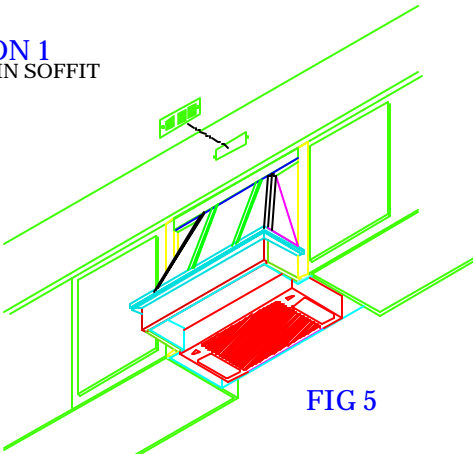


FIG 5

After the hood is installed position the grill on the front of the soffit so the screw holes line up with the holes in the 90° S.W. elbow. Make connection.

### OPTION 2 VENT GRILL ON HOOD

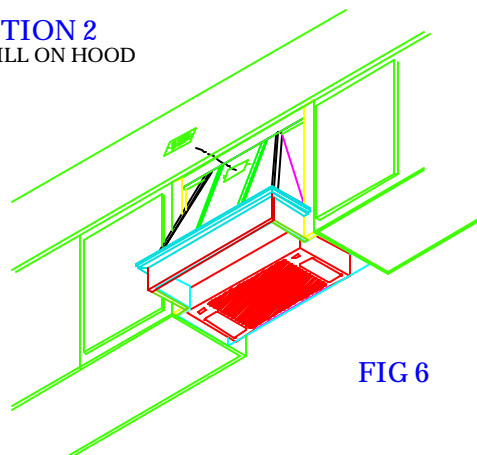


FIG 6

After the hood is installed position the grill on the front of the hood so the screw holes line up with the holes in the 90° S.W. elbow. Make connection.